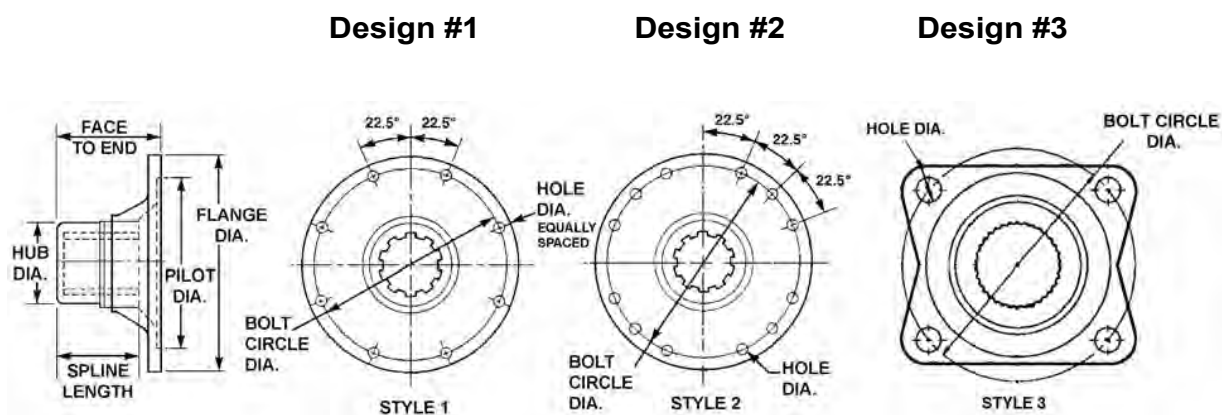


Companion Flanges



1. Choose your design
2. Supply dimensions as shown below
3. Send to Fax# 508-754-2947 or email to info@mitchelldriveshafts.com
4. For assistance, call 508-754-6502

Design Number _____

Bolt Circle Dia. _____

Hole Diameter _____