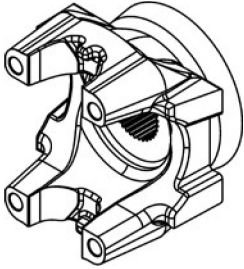
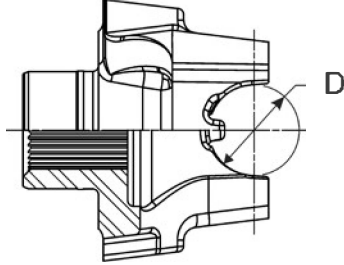


# End Yokes With Splined Holes

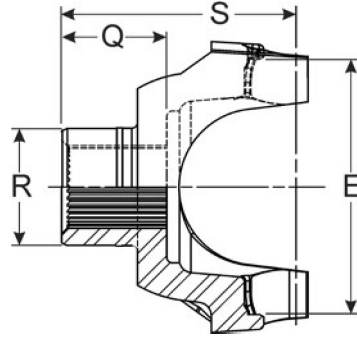
Design #1



Design #2



Design #3



1. Choose your design
2. Supply dimensions as shown below
3. Send to Fax# 508-754-2947 or email to [info@mitchelldriveshafts.com](mailto:info@mitchelldriveshafts.com)
4. For assistance, call 508-754-6502

Design Number \_\_\_\_\_

Dimensions:

D \_\_\_\_\_

R \_\_\_\_\_

E \_\_\_\_\_

S \_\_\_\_\_

Q \_\_\_\_\_